

Havahart® Spray Away® Hydro-Remote™ Animal Repellent Sprinkler

Owner's Manual

Model #5267

Caught a critter in the act?

Visit us on Facebook to share your favorite photos of critters you've spotted, for the chance to win gift cards, free product and more!



Like us to enter:

www.facebook.com/HavahartBrand



www.Havahart.com

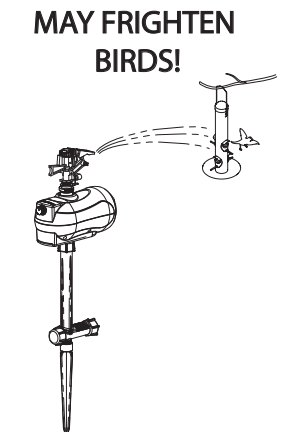
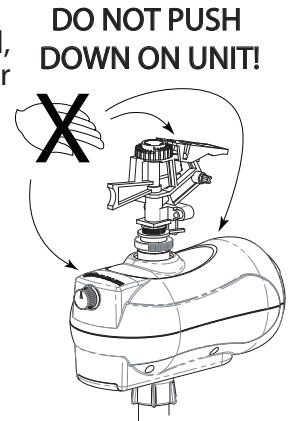
Thank you for purchasing the Havahart® Spray Away® Hydro-Remote™ Animal Repellent!

<u>Content</u>	<u>Page</u>
Cautions	3
Intro	4
Parts	5
Remote Guide	6
Setup	7-10
Repelling An Animal	11
Sensitivity Guide	12-13
Watering Your Yard	14
Troubleshooting	15
Warranty	16
FCC Statement	17-18

Woodstream® Corporation
 69 North Locust Street
 Lititz, PA 17543
 United States
www.Havahart.com

If you encounter any problems while assembling your Spray Away®, please refer to the Troubleshooting section of this manual or call us at 1.855.5.HAVAHART.

- ⚠ Intended to operate with typical household water pressure between 30 and 80 psi.
- ⚠ Malfunctioning units carry an inherent risk of causing water damage to your property. Mitigate your risk by limiting the amount of water available to the unit (open hose valve 3/4 turn maximum) and ensuring your water pressure is within the normal operating range for the unit.
- ⚠ Use a high quality garden hose with a solid brass connector for a leak-free, durable connection. Any visible wear (especially on hose thread), such as bends or dings, can cause the connection to leak.
- ⚠ When pushing the stake into the ground, use the step-in-stake. DO NOT push down or apply weight on the top of the main unit.
- ⚠ To prevent damage from freezing water, bring Spray Away® inside when the temperature drops below 32°F.
- ⚠ Dust, dirt or hard water on Infrared Sensor can limit sensitivity – keep clean by wiping it gently with a damp cloth.
- ⚠ Higher sensitivity levels are more prone to repeated/erroneous sprays.
- ⚠ To minimize false triggers, avoid pointing Spray Away® at moving water, windy areas and moving vehicles.



Intro

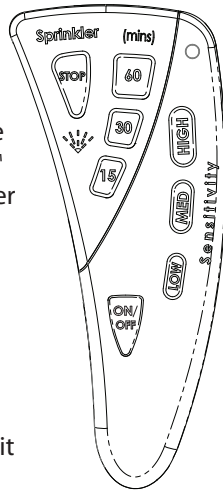
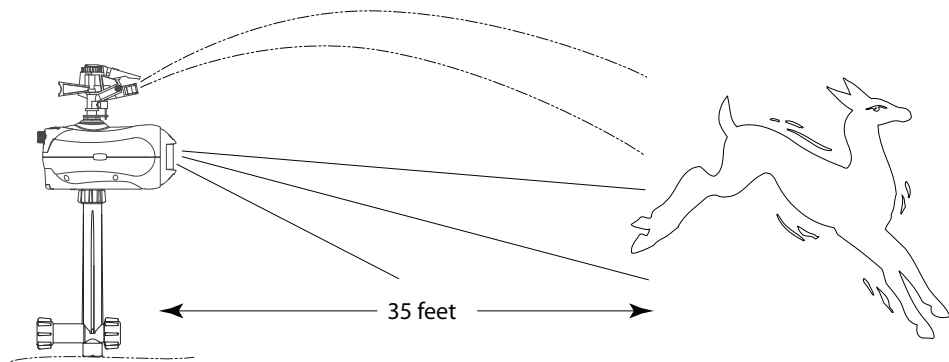
Havahart® Spray Away® Hydro-Remote™ Animal Repellent is the next generation of motion-activated sprinklers. Hydro-Remote™ combines an effective and humane animal repellent with a water sprinkler, giving you the ability to hydrate your yard and garden while protecting it.

Additionally, this unique dual purpose gardening tool can be controlled with a touch of a button! The first of its kind, Spray Away® Hydro-Remote's remote functions from over 100 feet away. For example:

Before getting the newspaper, use the remote to turn off the unit from the safety of your kitchen. Or, switch the unit into sprinkler mode to water your garden while you're relaxing on the patio!

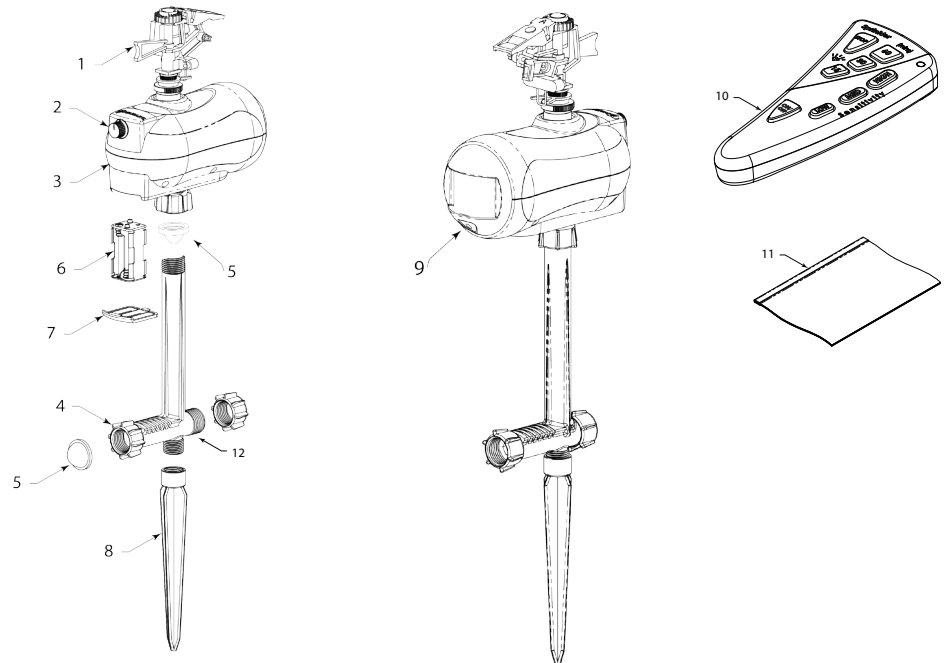
We've designed Spray Away® Hydro-Remote™ to be your secret gardening tool.

Just turn it on and let it do the work for you!



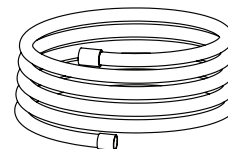
Parts

Missing something? Call Customer Service at 1.855.5.HAVAHART.

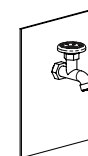


- | | |
|----------------------------|-------------------------------|
| 1. Sprinkler Head | 7. Battery Cover |
| 2. Mode Knob | 8. Step-in-Stake |
| 3. Main Unit | 9. Indicator Light |
| 4. Primary Hose Connection | 10. Remote Control |
| 5. Screen Gasket | 11. Owner's Manual |
| 6. Battery Case | 12. Secondary Hose Connection |

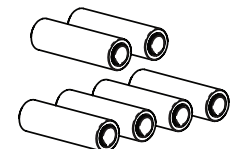
What you will need:



Garden Hose



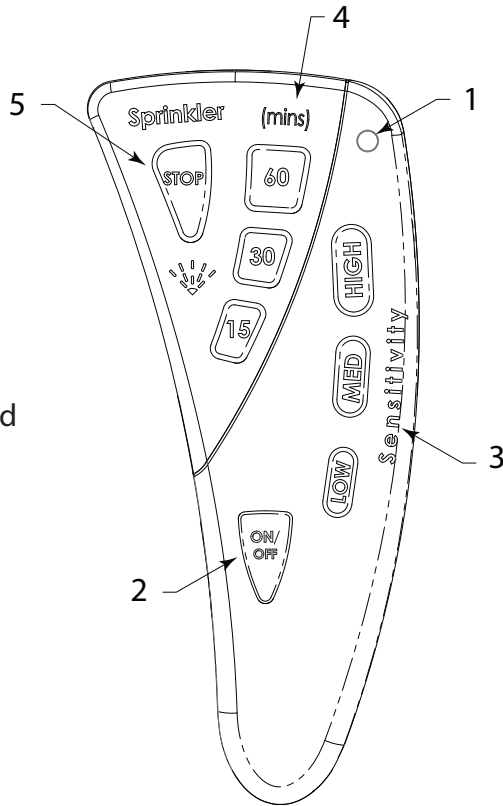
Access to Faucet / Tap



6 AA Batteries

Remote Guide

Setup



100 ft Range

Unit light will blink and beep when receiving remote signal

1. LED Light: Illuminates when a signal is sent to the unit. If this light does not illuminate when a button is pressed, replace the batteries.
2. ON/OFF: Turns Spray Away® ON or OFF.
3. Sensitivity: Select your sensitivity level. See guide on page 12.
4. Sprinkler Minutes (mins): Commands Spray Away® to water/continuously spray for 15, 30, or 60 minutes.
5. STOP: Stops the Sprinkler.

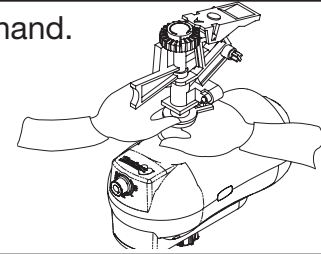
IF YOU DO NOT HAVE YOUR REMOTE

To override the remote features manually, turn the dial on the main unit to "OFF" for three seconds. This will allow you to select "ON" or "SPRINKLER" directly from the back of the unit. You can regain control using the remote by pressing the "ON/OFF" button on the remote and listening for the beep/blink.

1. Attach Sprinkler Head

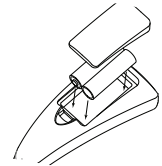
- Attach Sprinkler Head and fully tighten by hand.

Note: Using tools (ex: wrench) will damage the unit and result in leaking and/or unit malfunction.



2. Install Batteries To Remote Control

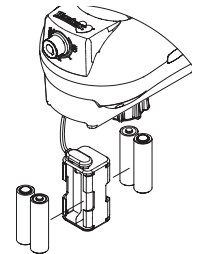
- Install 2 AA batteries into Remote Control



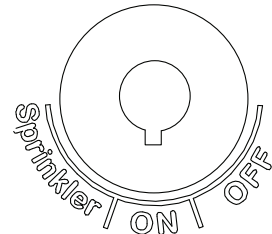
3. Sync Remote to Spray Away®

- Complete the next 3 steps within 2 minutes of installing batteries into the remote.

1. Install 4 AA batteries into Main Unit



2. With Remote Control and Main Unit in hand, turn the Mode Knob to ON.
3. Immediately press LOW on the remote three to four times.



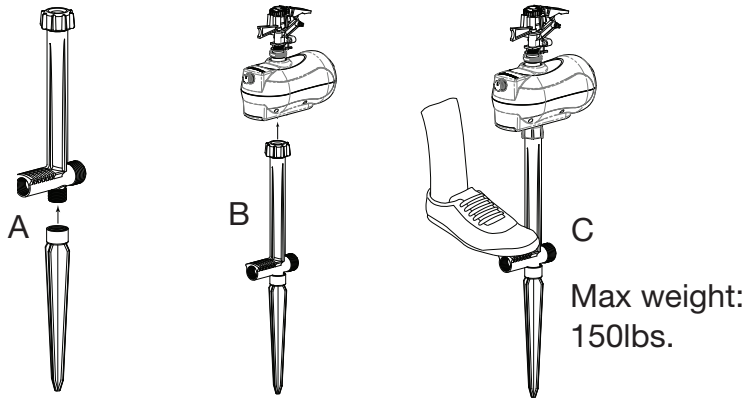
Am I synced?

- Successful - The Main Unit will rapidly blink and beep.
- Unsuccessful - Main Unit will NOT rapid blink or respond to remote. You will need to resync. Remove batteries from the Main Unit and repeat steps 2 and 3.

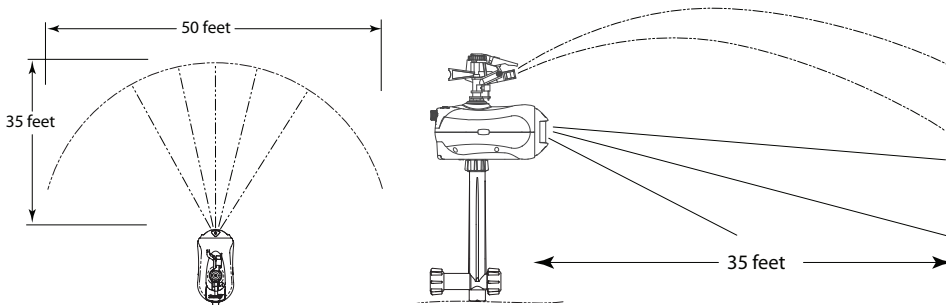
If you don't successfully sync the remote with main unit within 2 minutes of installing your main unit batteries, remove the batteries and attempt syncing again.

Setup Cont.

4. Stake in Area You Want to Protect or Irrigate



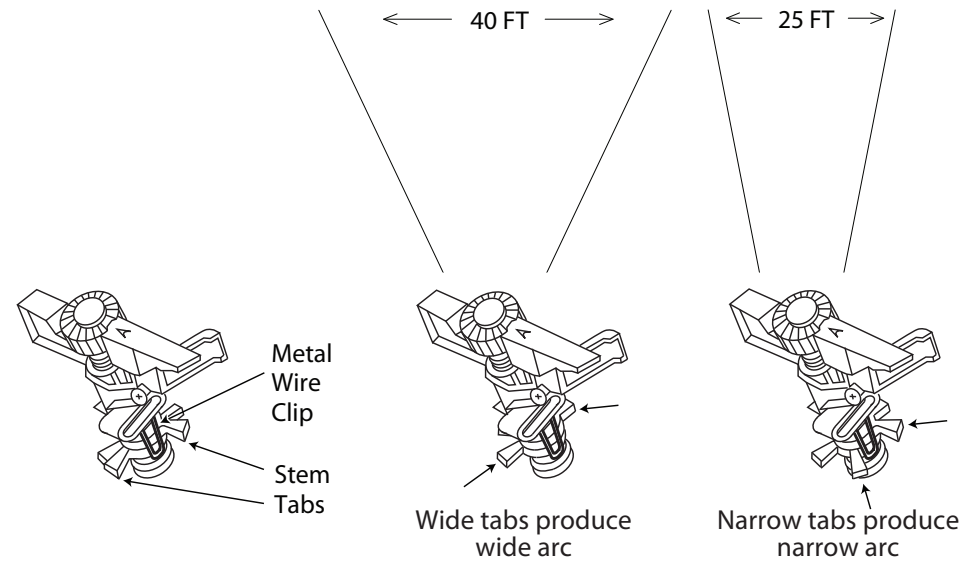
- Assemble the Step-in-Stake by attaching it to the Main Unit. (A and B)
- Place your foot on stake and gently press the unit into the ground. (C)
- Lean unit 5 degrees forward for smaller animals; lean unit 5 degrees backwards for birds and larger animals. See page 12 for more information.
- Ex: Place in/next to landscape you are trying to protect with sensor facing the direction animals are approaching.



Setup Cont.

5. Adjust the Spray Width (spray width from left to right)

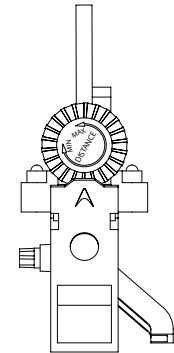
- Position Metal Clip between the stem tabs to achieve desired spray width (use images below as a guide).
- Be sure to position Metal Clip so it is facing the same direction as Infrared Sensor



6. Adjust the Spray Distance (optional)

- Rotate dial on top of the Sprinkler Head to adjust Spray Distance. Use "MIN" and "MAX" as guidelines (MAX = 35 feet).

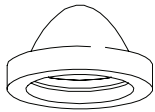
Note: Spray distance also varies depending on water pressure.



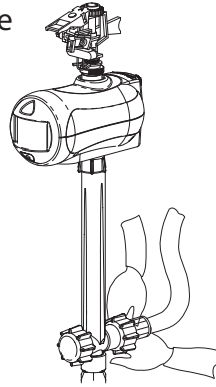
Setup Cont.

7. Attach a Garden Hose

- With your water OFF, attach a garden hose to the Main Unit.
- Ensure the Screen Gasket is secure inside the Main Unit.

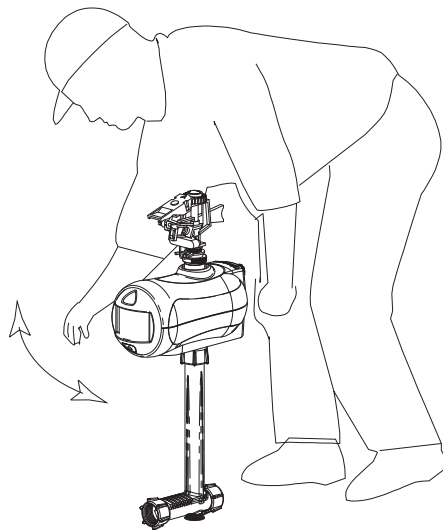


Screen Gasket



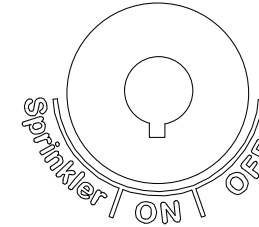
8. Test Spray Away

- Turn water ON and approach Spray Away from behind.
- Wait 15 seconds. Then wave your hand in front of the Infrared Sensor. Adjust the spray width and distance as needed (Page 9).



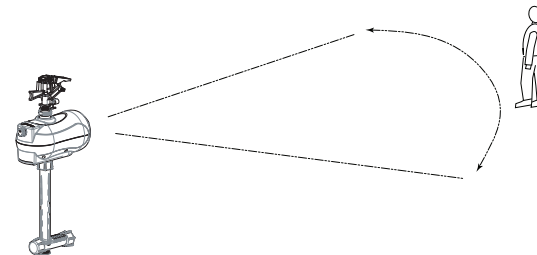
Repelling An Animal

Setting and Testing the Sensitivity - "ON" Mode



- With your water OFF, stand in front of the Spray Away® at the furthest distance you want to detect. (Max. is 35 feet away from unit.)
- Point Remote Control toward Spray Away® and press Low. (This gives you a starting point to adjust from.)
 - Spray Away® Indicator Light will blink to indicate that it received the signal
- Wait 10 seconds (remain still as it calibrates). See Important Note below.
- Staying the same distance from the unit walk back and forth to test if the unit can see you. The Indicator Light will blink twice if it sees you.
- If Spray Away® does not see you, select the next highest sensitivity level. Continue to select the next highest sensitivity level until the Spray Away® sees you.
- Once it sees you, your desired coverage area has been set correctly.

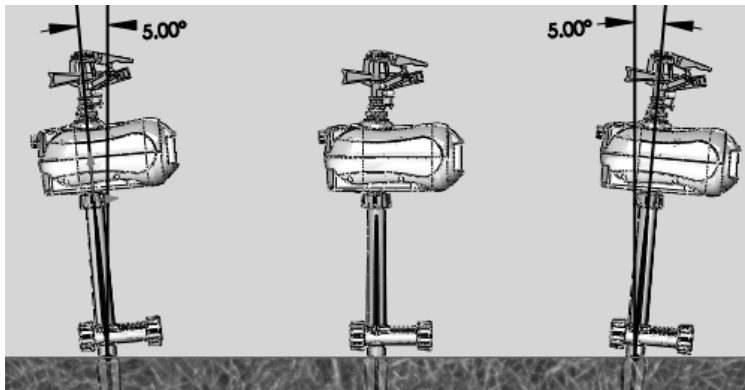
IMPORTANT NOTE: Spray Away® does not sense for 10 seconds after an activation. This means when testing the coverage area you will need to wait (remain still) for 10 seconds before moving again.



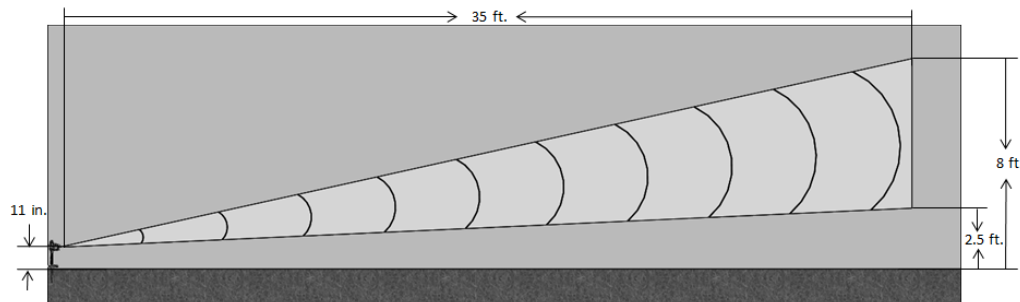
Use the Sensitivity Guide (Page 12) as a reference

Sensitivity Guide

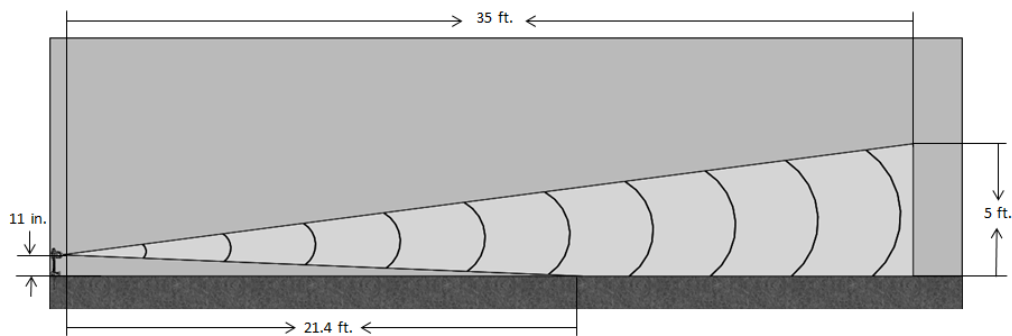
To optimize the effectiveness of your unit for the animals you are trying to get rid of, the correct amount of lean could significantly help.



- 1) The unit leaned back 5 degrees.
- 2) The unit put straight into the ground.
- 3) The unit leaned forward 5 degrees.

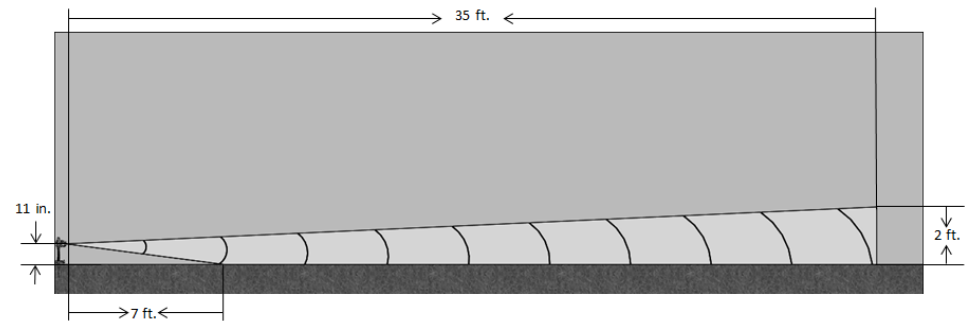


- 1) Leaning the unit back would be beneficial if you are primarily trying to repel birds or deer.



- 2) Putting the unit straight into the ground would help protect against medium to large size animals.

Sensitivity Guide



- 3) Leaning the unit forward would be beneficial if you are primarily worried about small to medium sized animals.

Occasionally sensitivity may need to be adjusted based on outside temperature.

When the weather is warmer, higher sensitivity levels are required. When the weather is cooler, lower sensitivity levels are required. Use charts as a guide.

Below 80°F

		Desired Detection Distance		
		10 feet	20 feet	30 feet
Animal Size	Small	Medium	High	High
	Medium	Medium	Medium	High
	Large	Low	Low	Medium

Above 80°F

		Desired Detection Distance		
		10 feet	20 feet	30 feet
Animal Size	Small	High	High	High
	Medium	Medium	High	High
	Large	Medium	Medium	High

Animal Size Examples:

- Small - Birds, Rabbits, Squirrels
- Medium - Cats, Raccoons, Skunks, Groundhogs
- Large - Deer, Dogs, Foxes

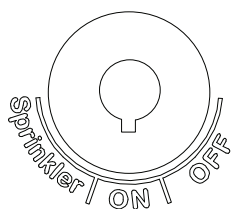
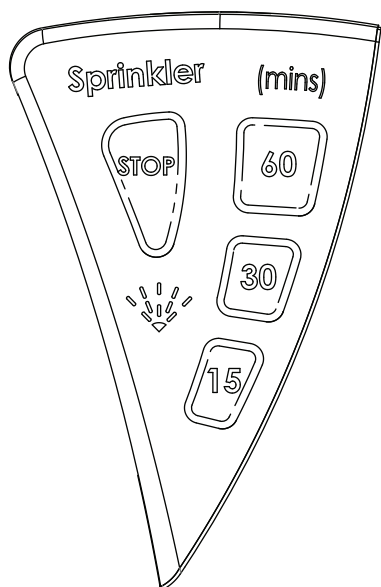
Watering Your Yard

Controlling the Sprinkler with your Remote Control

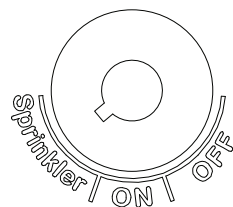
- When Mode Knob is in “ON” or “SRINKLER” Mode, use the green portion of your Remote Control to stop and start the sprinkler as necessary.

To start the Sprinkler: Select 15, 30, or 60 minutes.

- The Sprinkler will automatically turn off after the time you have selected.



Use as sprinkler and repellent



Use as sprinkler only

- “ON” Mode: When Sprinkler timer has ended, unit will go back to repelling and detecting animals. It will default to your last/saved sensitivity setting.
- “SPRINKLER” Mode: Unit can only be used as a sprinkler and will not detect animals. The unit will continuously spray/water your yard. Selecting the desired minutes on the remote will set the timer.

Troubleshooting

Problem	Solutions	Diagram
Spray Away® does not “see” animals	<ul style="list-style-type: none"> • Change batteries and repeat setup process. • Clean the Infrared Sensor with a damp cloth • Increase the Sensitivity and re-test the sensing area (Page 10 and 12) 	
Spray Away® is not spraying, or is only lightly spraying	<ul style="list-style-type: none"> • If the Indicator Light is blinking every 3 seconds, change the Batteries. • Ensure the Hose and Sprinkler Head are tightly secured. 	
Spray Away® is activating when no animal is present	<ul style="list-style-type: none"> • Reduce the Sensitivity and re-test the sensing area (page 10 and 12). 	
Spray Away® will not stop spraying	<ul style="list-style-type: none"> • Ensure Screen Gasket is secure in Main Unit, at the hose connection. If it is not, it is likely that debris from your hose has made its way up into the Main Unit, causing it to malfunction. • Your water pressure could be too high - it should not exceed 80 psi. 	
Unit is leaking	<ul style="list-style-type: none"> • Make sure the Hose and Sprinkler Head are tightly secured. • Ensure that the Hose thread is not damaged. • Check to be sure that the hose connection is free from debris. • Ensure water pressure is not too high - it should not exceed 80 psi. 	

Warranty

This warranty, two (2) years from the purchase of the unit, is extended only to the original purchaser/user of products.

Woodstream Corp. warrants its products to be free from defects in materials and workmanship for the warranty period by the original purchaser/user.

For warranty service, please contact our Customer Service at (855) 5-HAVAHART. Please indicate the nature of the defect.

If Woodstream Corp. determines there may be a defect, Woodstream Corp. will issue a Return Goods Authorization (RGA) number. The defective unit or parts must be returned for warranty inspection using the RGA number, when applicable, as identification within (30) days of return authorization date. DO NOT return products to our factory without our prior consent, as they, as well as C.O.D. shipments will be refused. Woodstream Corp., at its option, shall replace the unit, or replace the defective part(s) and return such unit to you. Woodstream Corp.'s sole obligation and your exclusive remedy under this warranty shall be limited to such replacement.

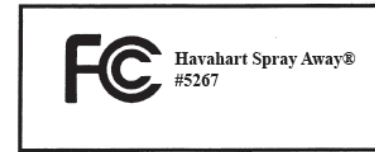
Limitations and Exclusions: The warranty shall not apply to problems arising from normal wear, or failure to adhere to the enclosed instructions. In addition, the foregoing warranty shall not apply to serial numbered products if the serial number has been removed or defaced; products subject to negligence, accident, improper operation, maintenance or storage; products damaged by circumstances beyond Woodstream Corp.'s control; or products modified (including, but not limited to modifications through the use of unauthorized parts or attachments) or repaired by anyone other than Woodstream Corp. or its designee.

The foregoing warranty is exclusive and in lieu of all other warranties, express or implied, including without limitation the implied warranties of merchantability and fitness for a particular purpose. It shall not extend beyond the duration of the express warranty provided herein, and the remedy for violations of any warranty shall be limited to repair or replacement of the defective product pursuant to the terms contained herein. Woodstream Corp. shall not be liable for any consequential or incidental damages whatsoever.

This warranty gives you specific legal rights and you may also have other legal rights which may vary based on location.

Visit us at:
www.Havahart.com

FCC Statement



WARNING: Changes or modifications to this device not expressly approved by Woodstream Corporation could void the user's authority to operate the equipment. "NOTE: This equipment has been tested and found to comply with the limits for a Class B digital device, pursuant to Part 15 of the FCC Rules. These limits are designed to provide reasonable protection against harmful interference in a residential installation. This equipment generates, uses, and can radiate radio frequency energy and, if not installed and used in accordance with the instructions, may cause harmful interference to radio communications. However, there is no guarantee that interference will not occur in a particular installation. If this equipment does cause harmful interference to radio or television reception, which can be determined by turning the equipment off and on, the user is encouraged to try to correct the interference by one or more of the following measures:

- Reorient or relocate the receiving antenna.
- Increase the separation between the equipment and receiver.
- Connect the equipment into an outlet on a circuit different from that to which the receiver is connected.
- Consult the dealer or an experienced radio/TV technician for help.

This Device complies with part 15 of the FCC rules. Operation is subject to the following two conditions. (1) This Device may not cause harmful interference, and (2) this device must accept any interference received, including interference that may cause undesired operation.

Under Industry Canada regulations, this radio transmitter may only operate using an antenna of a type and maximum (or lesser) gain approved for the transmitter by Industry Canada. To reduce potential radio interference to other users, the antenna type and its gain should be so chosen that the equivalent isotropically radiated power (e.i.r.p.) is not more than that necessary for successful communication.

Conformément à la réglementation d'Industrie Canada, le présent émetteur radio peut fonctionner avec une antenne d'un type et d'un gain maximal (ou inférieur) approuvé pour l'émetteur par Industrie Canada. Dans le but de réduire les risques de brouillage radioélectrique à l'intention des autres utilisateurs, il faut choisir le type d'antenne et son gain de sorte que la puissance isotrope rayonnée équivalente (p.i.r.e.) ne dépasse pas l'intensité nécessaire à l'établissement d'une communication satisfaisante.

FCC Statement Cont.



This device complies with Industry Canada licence-exempt RSS standard(s). Operation is subject to the following two conditions: (1) this device may not cause interference, and (2) this device must accept any interference, including interference that may cause undesired operation of the device.

Le présent appareil est conforme aux CNR d'Industrie Canada applicables aux appareils radio exempts de licence. L'exploitation est autorisée aux deux conditions suivantes : (1) l'appareil ne doit pas produire de brouillage, et (2) l'utilisateur de l'appareil doit accepter tout brouillage radioélectrique subi, même si le brouillage est susceptible d'en compromettre le fonctionnement.